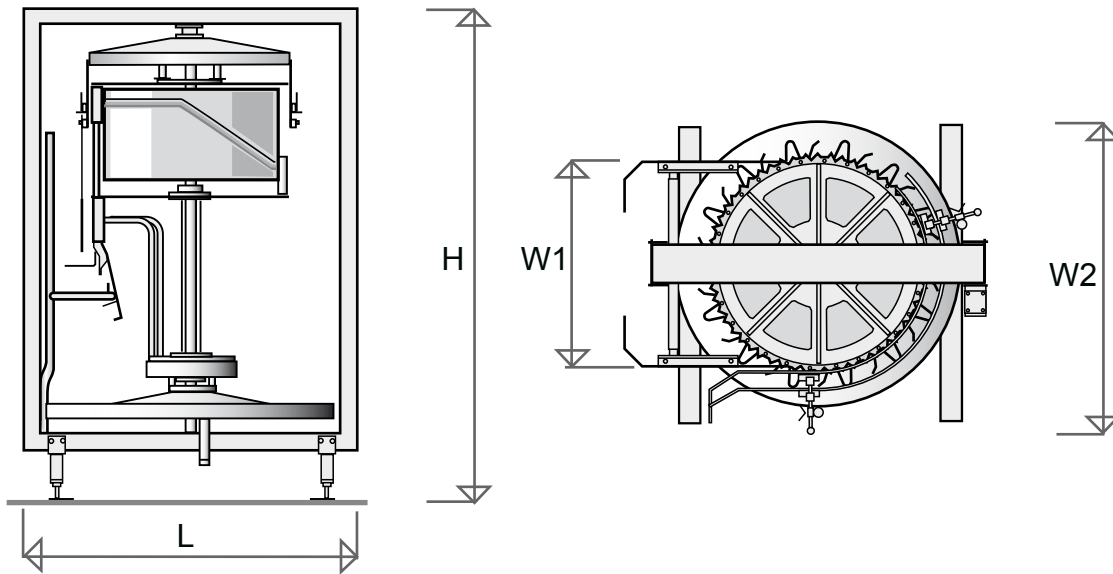


Meyn final inspection machine for turkeys



| | | | |
|---------------------------|-------------------|---------|---------|
| Product live weight range | kg | 5-22 | 5-20 |
| Capacity | BPH | 2,900 | 3,600 |
| Shackle pitch | inch | 15" | 12" |
| Number of units | | 11 | 14 |
| Length (L) | mm | 2,200 | 2,200 |
| Track width (W1) | mm | 1,335 | 1,360 |
| Width (W2) | mm | 1,800 | 1,800 |
| Height (H) | mm | 3,200 | 3,200 |
| Weight | kg | 1,450 | 1,500 |
| Water connection | BSP | 3x 1/2" | 3x 1/2" |
| Water consumption | m ³ /h | 0.5 | 0.5 |
| Vacuum connection | mm | DN100 | DN100 |
| Vacuum consumption | m ³ /h | 1,400 | 1,400 |

Technical Data Sheet

Head office:

Meyn Food Processing Technology B.V.
 Westeinde 6, 1511 MA Oostzaan (Amsterdam)
 P.O. Box 16, 1510 AA Oostzaan
 The Netherlands

T: +31 (0)20 2045 000
 F: +31 (0)20 2045 001
 I: www.meyn.com

MEYN
 Poultry Processing Solutions

Meyn final inspection machine for turkeys

- High quality valve.
- Easy to clean.
- Stable and sturdy construction.
- Adjustable for a large weight range.

