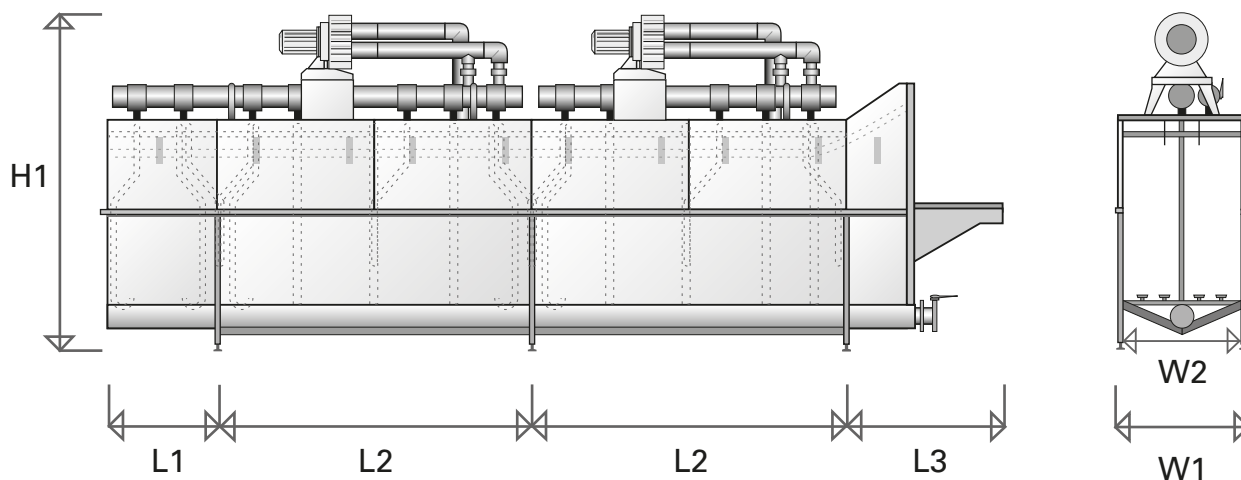


Meyn scalder 2 lane for turkeys



Live weight	kg	3-22
Length (L1)	mm	880
Length (L2)	mm	2,500
Length (L3)	mm	1,100
Width (W1)	mm	960
Inner width (W2)	mm	840
Height (H)	mm	3,120
Weight per section	kg	300
Electric power installed per section	kW	4.0
Water connection (level control)	BSP	3/4"
Water connection (quick fill)	BSP	2"
Water consumption (depends on live weight)	l/bird	0.3-0.5
Heating connection	mm	DN50
Drain connection	mm	DN200
Options: Heating with indirect steam		
Condensate return system, recycle connection	BSP	1.25"
Electric power installed	kW	1.1

Head office:

Meyn Food Processing Technology B.V.
 Westeinde 6, 1511 MA Oostzaan (Amsterdam)
 P.O. Box 16, 1510 AA Oostzaan
 The Netherlands

T: +31 (0)20 2045 000
 F: +31 (0)20 2045 001
 I: www.meyn.com

MEYN

Poultry Processing Solutions

Technical Data Sheet

Meyn scalding 2 lane for turkeys

- Flexible design, fits any layout requirement.
- Effective scalding as result of advanced agitation system.
- Easy to clean.

