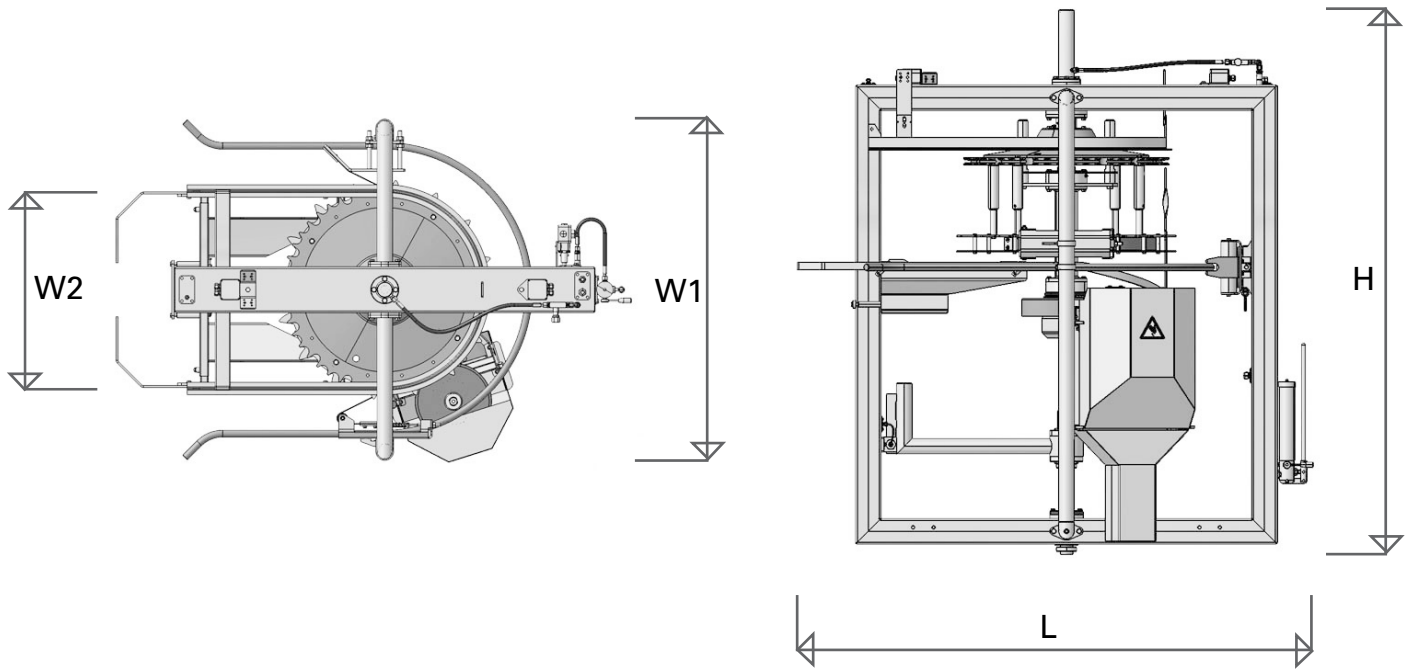


Meyn feet cutter



Capacity	BPH	12,000
Live weight	kg	0.5-4.0
Number of units		16
Shackle pitch*	inch	6"
Length (L)	mm	2,020
Width (W1)	mm	1,340
Width (W2)	mm	780
Height (H)	mm	2,300
Weight	kg	600
Electric power installed	kW	0.3

* Also available in 8" and 12" version

Technical Data Sheet

Head office:

Meyn Food Processing Technology B.V.
 Westeinde 6, 1511 MA Oostzaan (Amsterdam)
 P.O. Box 16, 1510 AA Oostzaan
 The Netherlands

T: +31 (0)20 2045 000
F: +31 (0)20 2045 001
I: www.meyn.com

MEYN
 Poultry Processing Solutions

Meyn feet cutter

- An accurate straight cut.
- Easy to adjust.
- Sturdy and simple construction.

