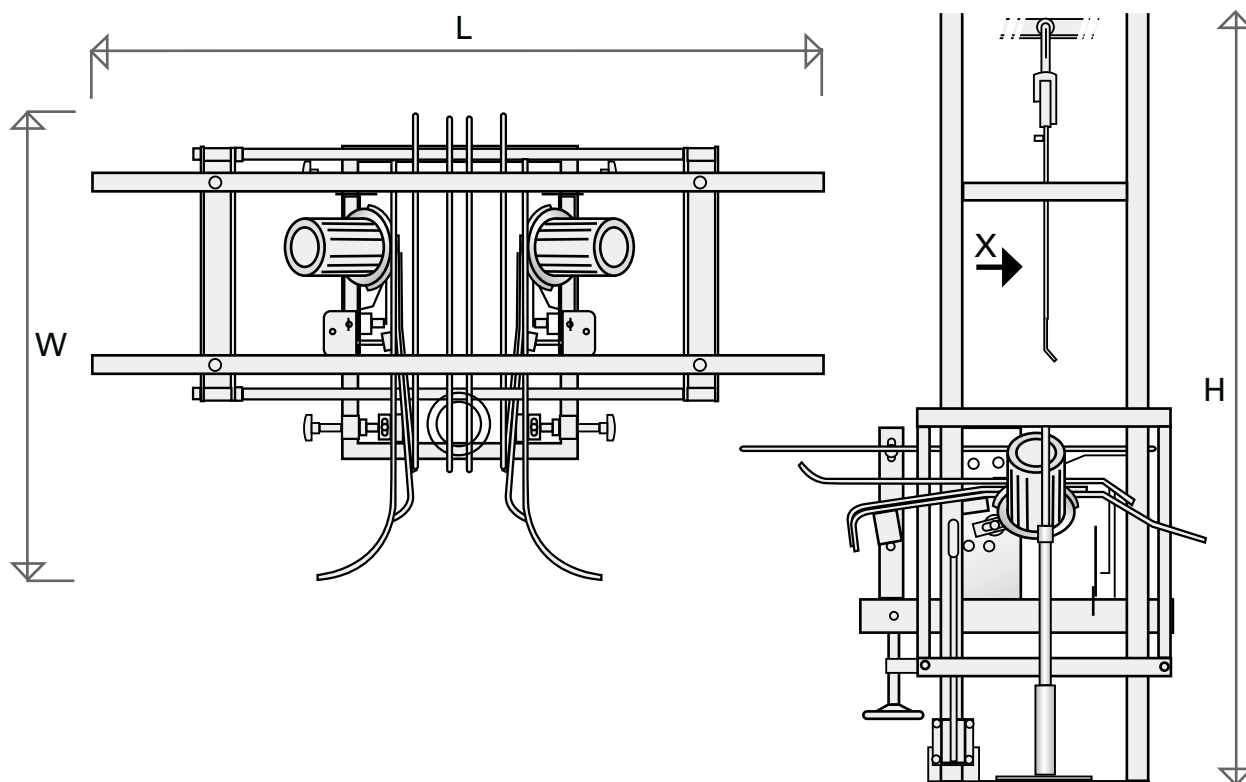


# Meyn middle wing cutter for turkeys



Product live weight range	kg	3-22	3-22
Capacity	BPH	2,900	3,600
Shackle pitch	inch	15	12
Length (L)	mm	1,450	1,450
Width (W)	mm	1,600	1,600
Height (H)	mm	3,500	3,500
Weight	kg	450	450
Electric power installed	kW	2x 1.0	2x 1.0
Note:	Line direction (X)		

## Head office:

Meyn Food Processing Technology B.V.  
 Westeinde 6, 1511 MA Oostzaan (Amsterdam)  
 P.O. Box 16, 1510 AA Oostzaan  
 The Netherlands

T: +31 (0)20 2045 000  
 F: +31 (0)20 2045 001  
 I: www.meyn.com

**MEYN**

Poultry Processing Solutions

# Meyn middle wing cutter for turkeys

- Accurate cut without expense of wing.
- Stable and sturdy construction.
- Easy to clean.
- Integrated in evisceration line.